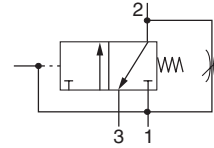


### Combined Soft Start / Dump Valve and Remote Operated Dump Valve



### Symbol



- Modular design with 3/4" & 1" integral ports (BSPP or NPT)
- Provides for the safe introduction of pressure
- Automatically dumps downstream pressure on the loss of pilot signal
- Adjustable slow start
- Solenoid or air pilot options
- High flow & exhaust capability

90 Series Combined Soft Start / Dump Valves, provide for the safe introduction of pressure to machines or systems. Soft Start / Dump Valves when set, allow the pressure to gradually build to the set point before fully opening to deliver full flow at line pressure.

The controlled introduction of pressure can be an important safety factor and prevent damage to tooling when air pressure is introduced at machine or system start up.

### Options

E90		-	0		6	-	E	C	0	0
<b>Series</b>		<b>Thread type*</b>		<b>Port size</b>		<b>Actuator option</b>		<b>Option</b>		
High flow emergency stop valve with slow start <span style="float: right; font-weight: bold;">E90</span>		NPT <b>0</b> BSPP C		3/4 <b>6</b> 1 8		E Solenoid A Air pilot		C 24VDC 0 None		

\*Note: For 1-1/2" ported unit, please order P3YKA\*BCP port block kit separately.  
**Bold items are most common.**

### Ordering information

Port size	Description	Flow scfm	Max. bar (psig)	Min temp °C (°F)	Max temp °C (°F)	Height mm (inches)	Width mm (inches)	Depth mm (inches)	Weight kg (lb)	Part number †
3/4"	Air pilot operated	371	17.5 (254)	-10 (14)	60 (140)	145 (5.71)	90 (3.5)	104 (4.1)	1.4 (3.1)	<b>E90-06-A000</b>
3/4"	24VDC 30mm coil	371	16 (232)	-10 (14)	60 (140)	130 (5.12)	90 (3.5)	104 (4.1)	1.6 (3.5)	<b>E90-06-EC00</b>
1"	Air pilot operated	424	17.5 (254)	-10 (14)	60 (140)	130 (5.12)	90 (3.5)	104 (4.1)	1.4 (3.1)	<b>E90-08-A000</b>
1"	24VDC 30mm coil	424	16 (232)	-10 (14)	60 (140)	130 (5.12)	90 (3.5)	104 (4.1)	1.6 (3.5)	<b>E90-08-EC00</b>

† Standard part numbers shown in bold. For other models refer to Options chart above.

### Specifications

Fluid	Compressed air
Max. pressure solenoid operated 30mm coil	16 bar (232 psig)
Minimum operating pressure	2 bar (29 psig)
Temp. range* solenoid operated	-10°C to 60°C (14°F to 140°F)
Temp. range* air pilot operated	-10°C to 60°C (14°F to 140°F)
Air pilot port	1/8"
Exhaust port	1"
Gauge port	1/4"

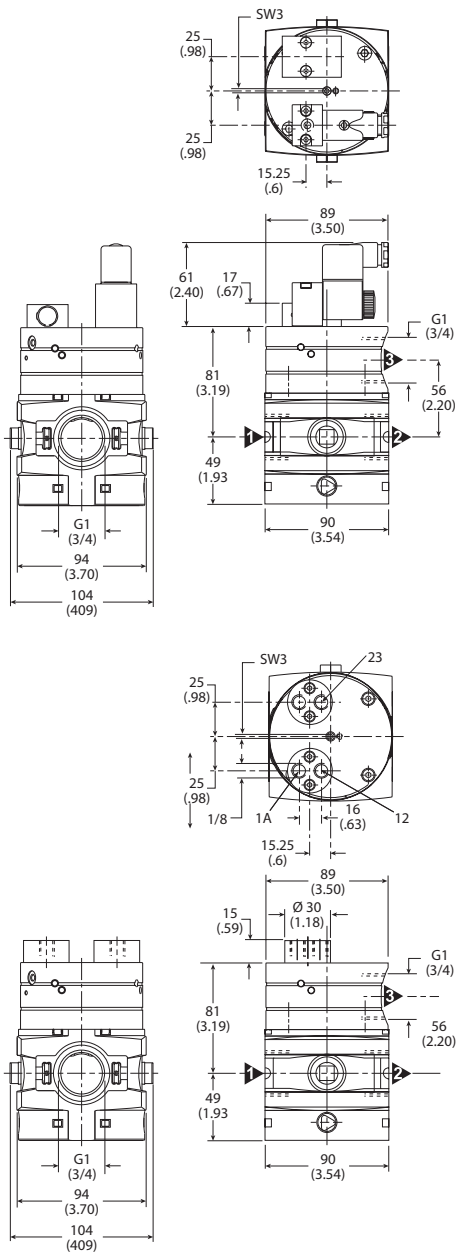
\* Air supply must be dry enough to avoid ice formation at temperatures below 2°C (35.6°F)  
Snap pressure: Full flow when downstream pressure reaches 50% of the inlet pressure

### Material specifications

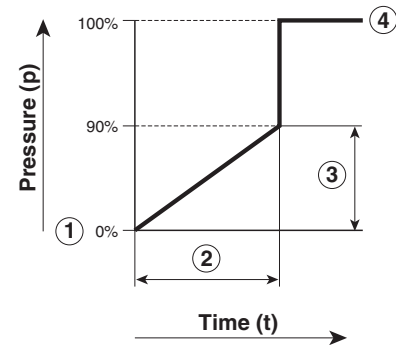
Body	Aluminum
Body cover	ABS
Valve	Brass / NBR composite
Pilot valve booster	Aluminum
Seals	Nitrile NBR

**Note:** For solenoid coil and cable plug options see page 24.

### Dimensions mm (inches)

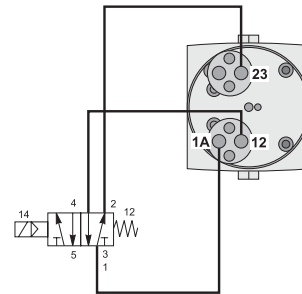


### Flow characteristics



- ① Start signal
- ② Switching time delay
- ③ Gradual pressure build up
- ④ Operating pressure  $p^2 (= p^1)$

### Combined start / stop function



### Combined start / stop function with acknowledgement

